



# FAW

# MODEL 28.280FD

MODEL	28.280FD
Cab Control	Forward (elect tilt) (aircon)
Seating	Driver + 2 Passengers
Axle Configuration	6x4

ENGINE	
Make & model	FAW - Steyr WD615.50
Capacity	9.726 cub.cm
Layout & type	6 cylinder in line water cooled, turbo-charged & intercooled
Power at r/min (kw)	206 @ 2 200
Torque at r/min (Nm)	1 160 @ 1 100-1 600

GEARBOX	
Make & model	FAW 9JS119
Type	9 sp manual synchromesh
Forward ratios	12.42, 8.29, 6.08, 4.53, 3.36, 2.47, 1.81, 1.35, 1.0
Reverse ratio	12.99

CLUTCH	
Diameter	430 mm
Type	Single plate
Operation	Hydraulic - manual

STEERING	
Gear ratio	20.48
Type	ZF 8098 Recirculating ball
Operation	Power assisted

PERFORMANCE	
Gradeability (atV)	Max 36%
Geared road speed	95 km/hr

AXLES	
Front axle	I-section beam (forged steel)
Rear axle - gearing type	Full floating - single reduction
Rear axle ratio	4.875

BRAKES	
System type	Full air - dual circuit
Park/emergency system	Spring brakes/rear booster

ELECTRICAL SYSTEM	
System voltage & type	24 v - negative earth
Alternator output	1 500 w
Number of batteries	Two
Battery capacity (each)	150 Ah

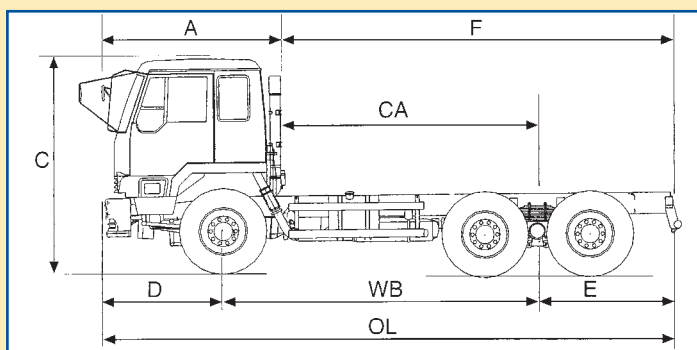
FUEL TANK	
Number	One
Total capacity	300 litre

CHASSIS	
Front suspension	Semi-elliptic leaf springs with shock absorbers
Rear suspension	Semi-elliptic leaf springs

WHEELS	
Tyre size	315/80 Radial 22.5 tubeless
Rim size	9.0x22.5
Ply rate	16 PR

MASS DATA		
(GVM)	Manufacturer's Gross Vehicle Mass	28 000 Kg
(GCM)	Manufacturer's Gross Combination Mass	50 000 Kg
(GA Front)	Manufacturer's Front Axle Mass	7 500 Kg
(GAU Rear)	Manufacturer's Rear Axle Mass	26 000 Kg
(V)	Permissible Gross Vehicle Mass	25 000 Kg
(D/T)	Permissible Gross Combination Mass	49 440 Kg
(A Front)	Permissible Front Axle Mass	7 500 Kg
(A Rear)	Permissible Rear Axle Mass	18 000 Kg
(T Front)	Unladen Front Axle Mass	3 880 Kg
(T Rear)	Unladen Rear Axle Mass	4 340 Kg
(T)	Total Unladen Mass	8 220 Kg

MAJOR DIMENSIONS	
Wheelbase (WB)	4 075 mm
Overall length (OL)	7 143 mm
Cab length (A)	2 100 mm
Cab width	2 400 mm
Cab height (C)	2 890 mm
Front overhang (D)	1 400 mm
Rear overhang (E)	1 575 mm
Cab to rear axle (CA)	3 275 mm
Cab to end of chassis (F)	4 850 mm
Minimum turning radius	9.5 m
Turning circle diameter	19 m
Ground clearance	315mm
Track	Front 2 020mm Rear 1 800mm
Chassis outer width	780mm
Chassis inner width	595mm



The above specifications are not binding - subject to change without prior notice.